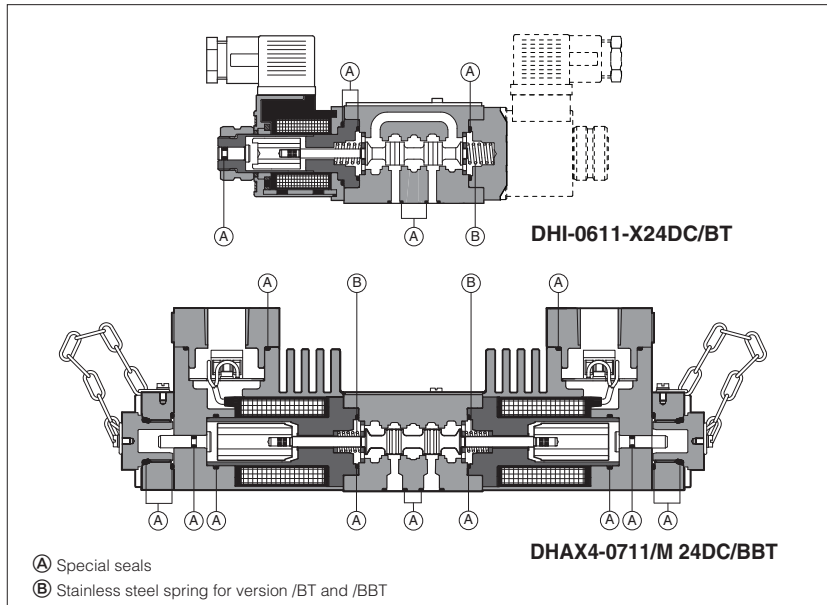


Components with special seals

for extreme temperature range or fire resistant fluids



Standard and special components equipped with specific seals for applications at high / low temperatures or with aviation hydraulic fluids.

- option /PE for high temperature
- options /BT and /BBT for low temperature
- option /EP for fire resistant aviation hydraulic fluids

See sections 1 to 4 for technical characteristics, availability and model codes of the different options.

1 COMPONENTS FOR HIGH TEMPERATURE, option /PE

Standard components with /PE option are equipped with FKM seals suitable for applications at high temperatures. The suggested fluid temperature range is **-20°C to +80°C**

Fluids compatibility: the option /PE is compatible with mineral oils HLP and flame resistant fluids without water type HFDR, HFDR
Available models: all components included in Atos KT Master catalogue - see the tech. table relevant to the specific component

2 COMPONENTS FOR LOW TEMPERATURE, option /BT

Standard components with /BT option can be stored and operated with ambient / fluid temperature down to **-40°C** (max temperature +60°C if not otherwise specified in the specific component's tech table). They are equipped with specific stainless steel springs and HNBR seals.

Fluids compatibility: the option /BT is compatible with mineral oils HLP and flame resistant fluids with water type HFC
Available models: selected range of components included in Atos KT Master catalogue - see the tech. table relevant to the specific component

The following components cannot be supplied with /BT option or its feasibility must be evaluated. Please consult our technical office.

- pumps = section A of KT catalogue - feasibility to be evaluated
- cylinders = section B of KT catalogue - feasibility to be evaluated
- explosion proof valves - UL standard - tab. E125 of KT catalogue - available only for DHA/UL and DPHA/UL, on request for other UL valves
- proportional valves with integral electronics (with exception of new TEB, TES, LEB, LES versions) - section F of KT catalogue - feasibility to be evaluated
- hand lever and cam operated valves = tab. E150 of KT catalogue - feasibility to be evaluated
- DH and DK hydraulic and pneumatic operated valves tab. E225 and 255 of KT catalogue - feasibility to be evaluated

3 COMPONENTS FOR VERY LOW TEMPERATURE, /BBT

Stainless steel components with /BBT option can be stored and operated with ambient / fluid temperature down to **-60°C** (max temperature +60°C if not otherwise specified in the specific component's catalogue). They are equipped with seals made by Fluorosilicon rubber per MIL-R-25988B

Fluids compatibility: the option /BBT is compatible with mineral oils HLP and Jet fuels
Available models: stainless steel valves X series included in tech table E135.

3.1 MODEL CODE

Valve model code as per KT tech table E135

/BBT
/BBT = for ambient temperature down to -60°C

4 COMPONENTS FOR FIRE RESISTANT FLUIDS, 000400 /EP

The components with /EP option are suitable for operation with phosphate esters based hydraulic fluids, like Skydrol and Exxon Hy Set. They are made from the relevant standard versions, but using Ethylene-Propylene seals suitable to resist to corrosive fluids, normally used in Aircraft equipments and test benches.

Fluid temperature range: **-20°C to +80°C**

Fluids compatibility: the compatibility of /EP seals with Skydrol and Exxon fluids has been well proved for following types:

- Skydrol LD4
- Skydrol 500B4
- Hyjet IV
- Hyjet V

For other Skydrol fluids consult our technical office.

Available models: the availability must be evaluated case by case depending to the component type and to the ordered quantity

4.1 MODEL CODE

000400
Special execution: 000400

Valve model code as per KT catalogue

/EP
/EP =for phosphate ester fluids (Skydrol)