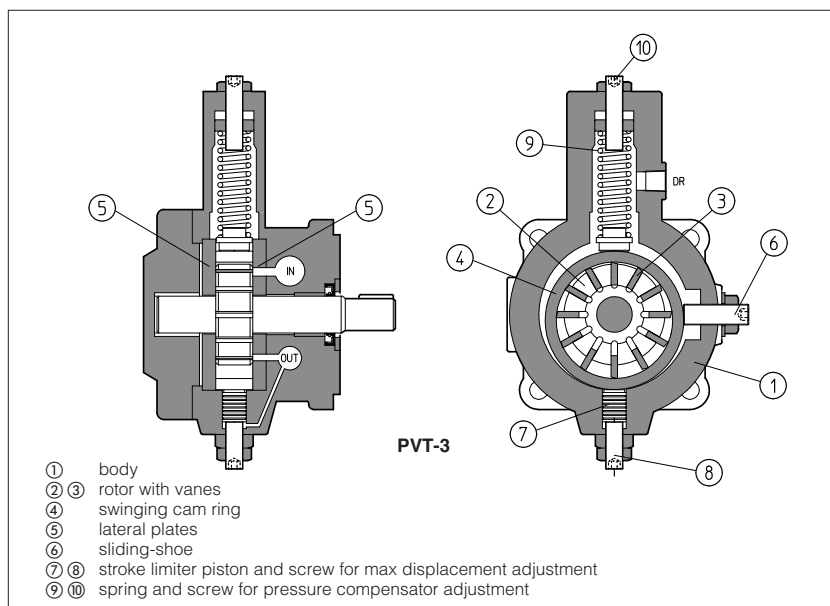


Vane pumps type PVT

variable displacement



PVT are variable displacement vane pumps equipped with mechanical compensator (9) (10) for outlet pressure and max displacement adjustment (7), (8).

These low-noise pumps are available in 2 different sizes and are designed to operate with anti-wear oil according to DIN 51524...535 and fire-resistant fluids with same lubricating characteristics.

Wide variety of displacements: from 6,6 up to 23,3 cm³/rev.

Max pressure up to 70 bar.

1 MODEL CODE

PVT **3** **16** / **35** ******

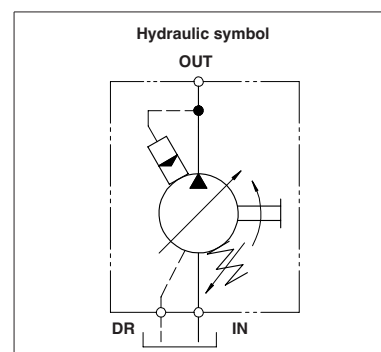
variable displacement vane pump

Conventional dimension:
2
3

Conventional displacement according to ISO 3662:
10 (dimension 2)
22 (dimension 3)

Design number

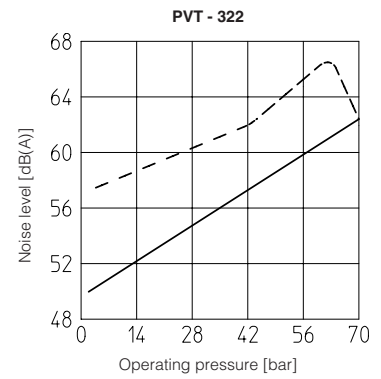
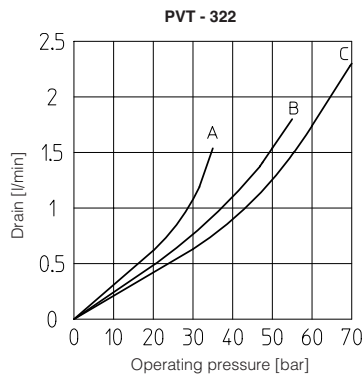
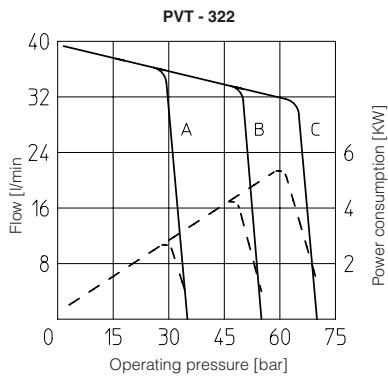
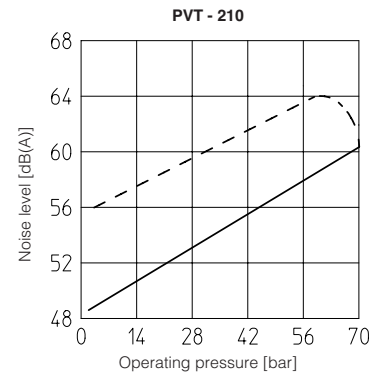
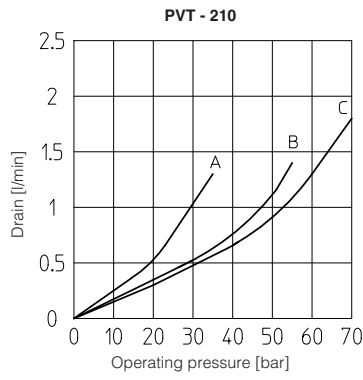
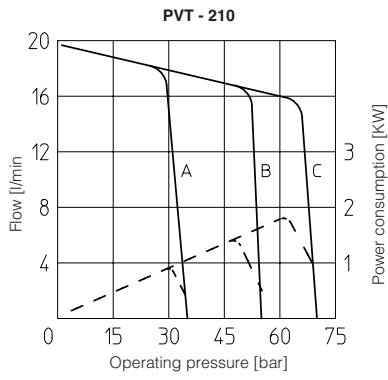
Pressure compensator calibration range:
— = 30 ÷ 55 bar
35 = 15 ÷ 35 bar
70 = 50 ÷ 70 bar



2 MAIN CHARACTERISTICS

| Model | | PVT-210 | PVT-322 |
|-------------------------------------|------------------------|--|-----------------------|
| Max displacement | [cm ³ /rev] | 11,3 | 23,3 |
| Flow rate at 1450 rpm and 7 bar | [l/min] | 16,4 | 33,8 |
| Max operating pressure | [bar] | 70 | 70 |
| Max available torque on first shaft | [Nm] | 40 | 120 |
| Inlet port | | RC (conical gas) 1/2" | RC (conical gas) 3/4" |
| Outlet port | | RC (conical gas) 3/8" | RC (conical gas) 1/2" |
| Drain port | | RC (conical gas) 1/4" | RC (conical gas) 1/4" |
| Recommended pressure on inlet port | [bar] | -0,5 ÷ +1,5 | |
| Max pressure at drain port | [bar] | 1 | |
| Drain | [l/min] | from 1 to 2.5 - continuous - | |
| Min/max shaft speed | [rpm] | 800/1800 | |
| Direction of rotation | | Clockwise rotation | |
| Installation position | | Any | |
| Loads on the shaft | | Radial or axial loads on shaft not allowed | |
| Ambient temperature | | from -20°C to +70°C | |
| Fluid | | Hydraulic oil as per DIN 51524 535; for other fluids consult our technical office | |
| Recommended viscosity | | 23÷45 mm ² /s at 40°C (ISO VG22-46). For cold start-up and "0" pressure max: 400 mm ² /s | |
| Fluid contamination class | | ISO 19/16 achieved with in line filters at 25µm and β ₂₅ ≥ 75 (recommended) | |
| Fluid temperature | | max +70°C | |

3 DIAGRAMS



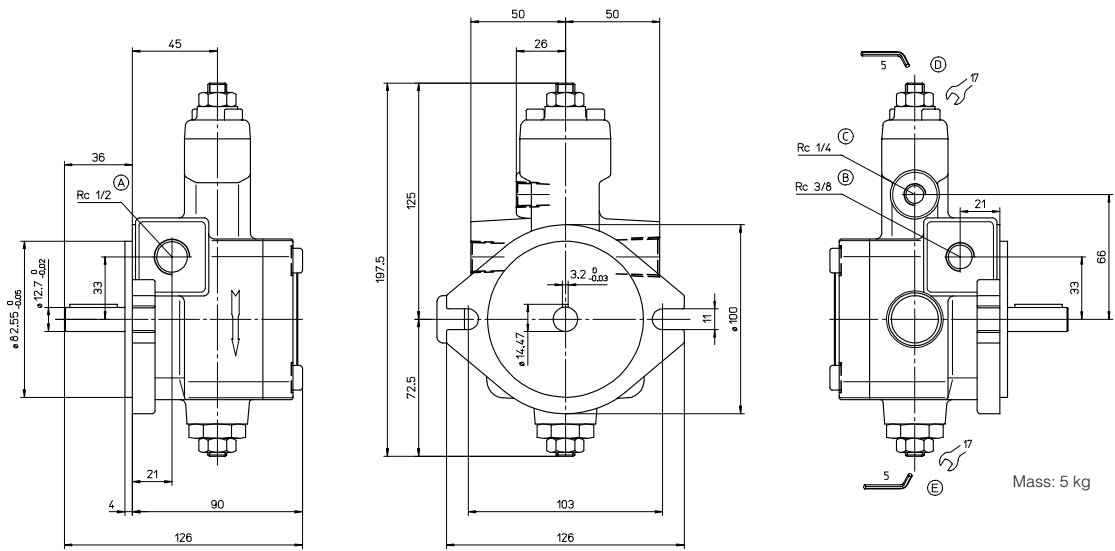
————— Pressure versus flow diagram
 - - - - - Power consumption at max flow rate

A = setting 15-35 bar (/35)
B = setting 30-55 bar (std)
C = setting 50-70 bar (/70)

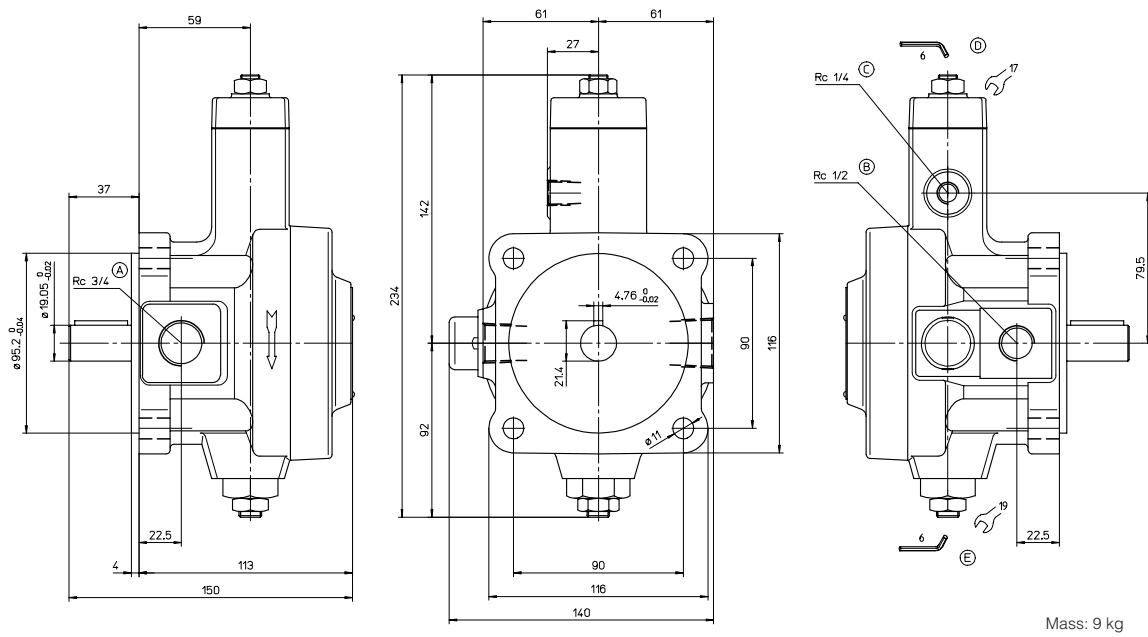
Noise measured with ambient conditions, according to ISO 4412-1
 - - - - - max. flow
 ————— null flow

4 DIMENSIONS [mm]

PVT-210



PVT-322



- (A) inlet port
- (B) outlet port
- (C) drain port
- (D) screw for pressure compensator adjustment
- (E) screw for max displacement adjustment

