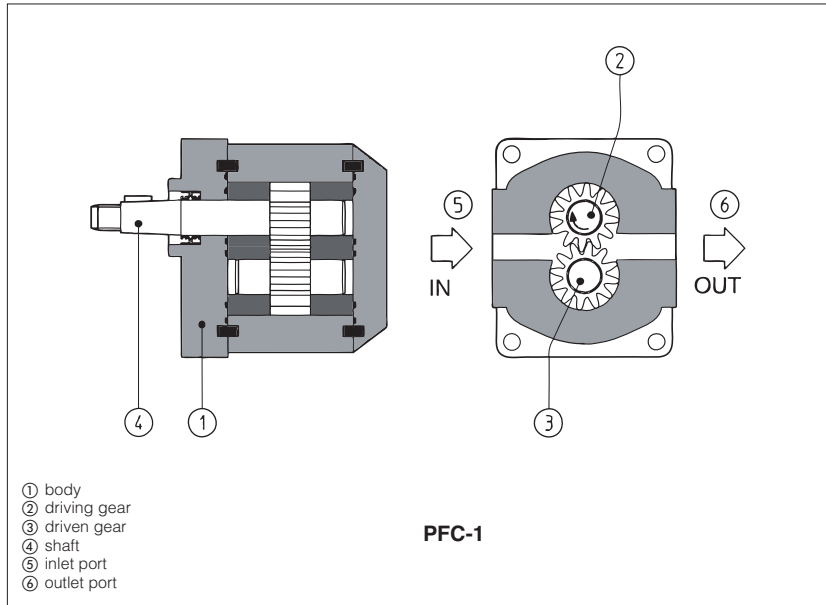


Gear pumps type PFC

external gears - fixed displacement



PFC are fixed displacement external gear pumps, axial hydraulic balancing, simple and sturdy construction, low noise level

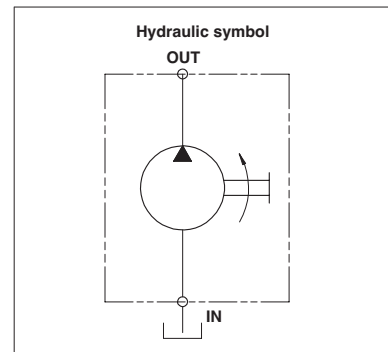
Suitable for hydraulic oils or synthetic fluids having similar lubricating characteristics

Wide variety of displacements: from 1,6 up to 52 cm³/rev

Max pressure up to **260 bar**

1 MODEL CODE

PFC	- 2	14 / -	**	/ *
Fixed displacement gear pump			Options on request	
Size, see section 2: 1, 2, 3		Series number		
Displacement [cm ³ /rev], see section 2 for PFC 1: 14, 20, 28, 35, 42, 49, 60, 74, 87, 99 for PFC 2: 07, 10, 11, 14, 16, 18, 21, 27, 35 for PFC 3: 27, 34, 40, 43, 54 Other displacements are available on request		Direction of rotation (as viewed at the shaft end): - = clockwise (supplied standard if not otherwise specified) S = counterclockwise Note: PFC are not reversible. The direction of rotation is indicated by an arrow on the pump casing; the same arrow shows also the direction of the oil flow (from the inlet to the outlet port)		



2 OPERATING CHARACTERISTICS at 1450 rpm (based on mineral oil ISO VG 46 at 50°C)

Model	Displacement cm ³ /rev	Max pressure (1)	Speed range rpm
PFC-114	1,6	260 bar	650 - 4000
PFC-120	2,13		
PFC-128	2,67		
PFC-135	3,34		
PFC-142	4,27	250 bar	650 - 3500
PFC-149	5,34		
PFC-160	6,2	230 bar	650 - 3500
PFC-174	6,67		
PFC-187	8,51		
PFC-199	10,67		
PFC-207	6,61	250 bar	600 - 4000
PFC-210	9,17		600 - 3500
PFC-211	11,23		500 - 3500
PFC-214	14,53		500 - 3000
PFC-216	16,85	200 bar	500 - 3000
PFC-218	19,09		
PFC-221	21,14		
PFC-227	28,21		
PFC-235	33,03	130 bar	500 - 2000
PFC-327	26,70		
PFC-334	34,55	240 bar	350 - 3000
PFC-340	39,27		
PFC-343	43,98		
PFC-354	51,83		
PFC-354	51,83	210 bar	350 - 2500

(1) For intermittent duty, 10% higher peak pressures are admitted.

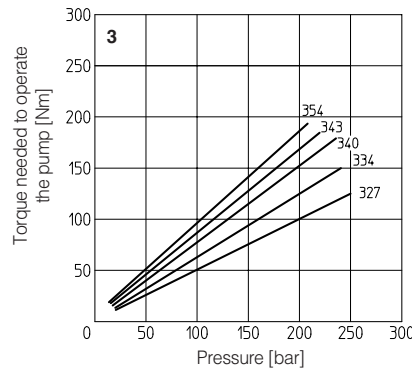
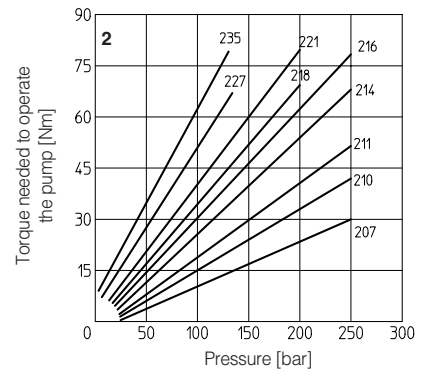
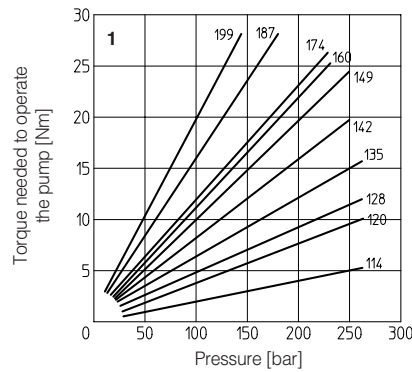
3 MAIN CHARACTERISTICS OF GEAR PUMPS TYPE PFC

Installation position	Any position
Supply pressure range	0,7 ÷ 3 bar
Loads on the shaft	Axial and radial loads are not allowed on the shaft The coupling should be sized to absorb the power peak
Ambient temperature	from -20°C to +70°C
Fluid	Hydraulic oil as per DIN 51524...535; for other fluids, consult our technical office
Recommended viscosity	from 12 to 100 mm ² /s
Maximum viscosity allowed	up to 750 mm ² /s
Fluid contamination class	ISO 21/19/16 (filters at 25 μm value with β _{x(C)} ≥75) ISO 20/18/15 (filters at 10 μm value with β _{x(C)} ≥75) ISO 19/17/14 (filters at 10 μm value with β _{x(C)} ≥75)
Fluid temperature	Max 70°C

4 DIAGRAMS (based on mineral oil ISO VG 46 at 50°C)

4.1 = Torque versus pressure diagram

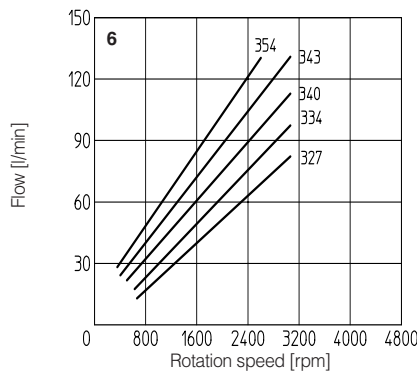
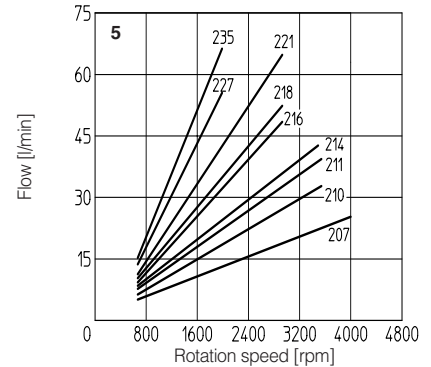
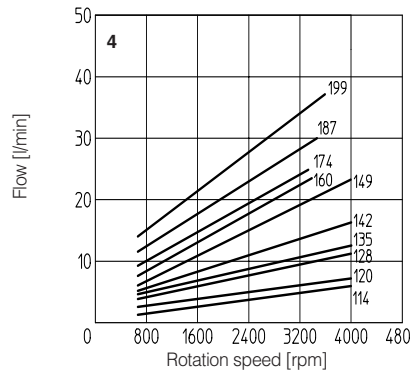
- 1 = PFC-1
- 2 = PFC-2
- 3 = PFC-3



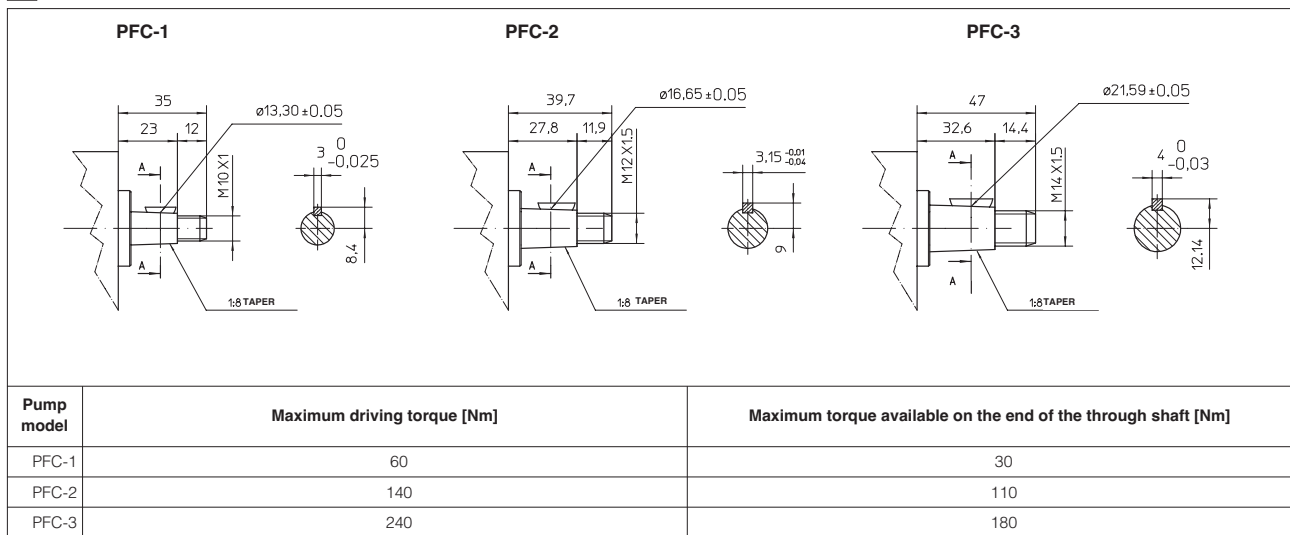
4.2 = Flow versus speed diagram

stated at 20 bar

- 4 = PFC-1
- 5 = PFC-2
- 6 = PFC-3

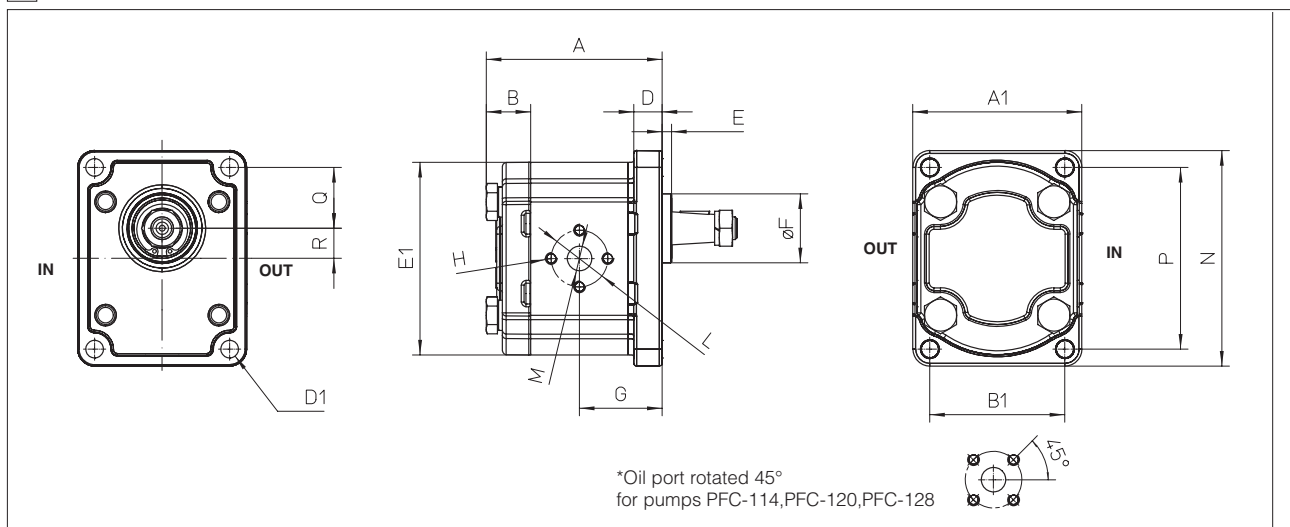


5 DRIVE SHAFT AND LIMITS OF TORQUE



The values of torque needed to operate the pumps are shown for each type of the "torque versus pressure diagram" at section 4.

6 DIMENSIONS [mm]



Pump model	A	B	D	E	øF	G	H	øL	øM		N	P	Q	R	A1	B1	øD1	E1	Mass Kg ~										
									In	Out																			
PFC-114 *	67,8	17	10	5,4	30 f8	32,4	M6	30	13	8	89,2	73	24,5	11,3	72,2	56	6,5	74	1,3										
PFC-120 *	69,4					33,2													1,3										
PFC-128 *	71					34													1,3										
PFC-135	73					35													1,4										
PFC-142	75,8					36,44													1,5										
PFC-149	79					38													1,5										
PFC-160	81,6					39,3													1,6										
PFC-174	83					40													1,7										
PFC-187	88,5					42,8													1,7										
PFC-199	95					46													1,9										
PFC-207	95,5	23,5	15	5	36,5 f8	45	M8	40	13	13	114,2	96,2	32,2	16	89,5	71,5	9	102	2,7										
PFC-210	99,3					46,9													2,8										
PFC-211	102,5					48,5													2,9										
PFC-214	107,5					51													2,9										
PFC-216	111					52,75													3										
PFC-218	114,4					54,5													3										
PFC-221	117,5					56													3,2										
PFC-227	128,2					61,35													3,3										
PFC-235	135,5					65													3,5										
PFC-327	133					64,5													28	19	50,8 f8	M8	40	19	19	152	128	42,5	23,5
PFC-334	138	67	6,5																										
PFC-340	141	68,5	M10	56	27	27	152	128	42,5	23,5	122	98	12	148	6,9														
PFC-343	144	70													7														
PFC-354	149	72,5													7,3														